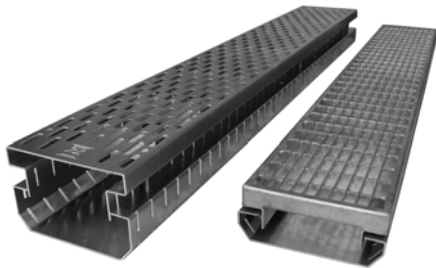


# Product Data Sheet

## Facade and Terrace Channel FTR



At the bottom and sides slotted, height adjustable drainage gutter made of aluminium for the installation in front of door exits or along facades.

### Technical Data

#### Facade and Terrace Channel FTR 55/75

From the top adjustable aluminium drainage channel; cover made of aluminium with oblong hole slots or with galvanized steel grate, approx. 33 x 11 mm mesh. Channel body at sides and underneath slotted, slot width ca. 8 mm; with integrated butt connector, which can be used in upright position as an end-piece.

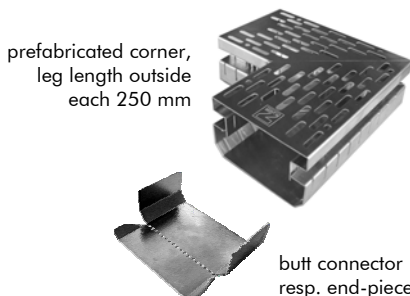
Channel length:	ca. 1.00 m
Channel width:	ca. 145 mm
Channel height:	ca. 55 till 75 mm

<u>aluminium grate</u>	<u>galvanized grate</u>	<u>90° corner with alu-grate</u>
Order no. 4747	Order no. 4748	Order no. 4749

#### Facade and Terrace Channel FTR 75/100

like above mentioned but height approx. 75 to 100 mm

<u>aluminium grate</u>	<u>galvanized grate</u>	<u>90° corner with alu-grate</u>
Order no. 4757	Order no. 4758	order no. 4759

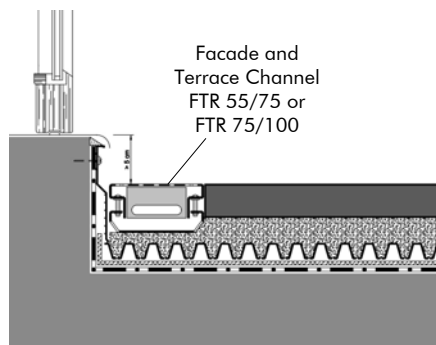


### Features

- Aluminium gutter available in 2 heights, height adjustment from 55 to 75 mm or from 75 to 100 mm
- channels available with aluminium cover with oblong hole slots or with galvanized steel grate
- suitable for direct installation into bulk material such as gravel
- absorbs facade runoff water and directs it safely into the drainage layer
- for reduced connection heights at door exits and terrace areas
- easy cleaning due to removable grate
- channels also available in stainless steel on request

### Application Example

#### "Door exit with reduced connection height"



Concrete slabs in gravel bed  
Floradrain® FD 25-E  
Protection Mat ISM 50  
Roof construction with waterproofing

### Specification Suggestion

Drainage channel made of aluminium, channel body slotted underneath and at sides, slot width ca. 8 mm, cover made of aluminium with oblong hole slot resp. with galvanized steel grate, ca. 33 x 11 mm mesh, deliver and place into gravel, width ca. 145 mm, height adjustable

from ca. 55 to 75 mm (type FTR 55/75) or from 75 to 100 mm (type FTR 75/100)

Make: ZinCo Facade and Terrace Channel FTR 55/75 or FTR 75/100  
Enquiries: ZinCo GmbH,  
Phone: +49 7022 6003-0